

Catch Basins Overview

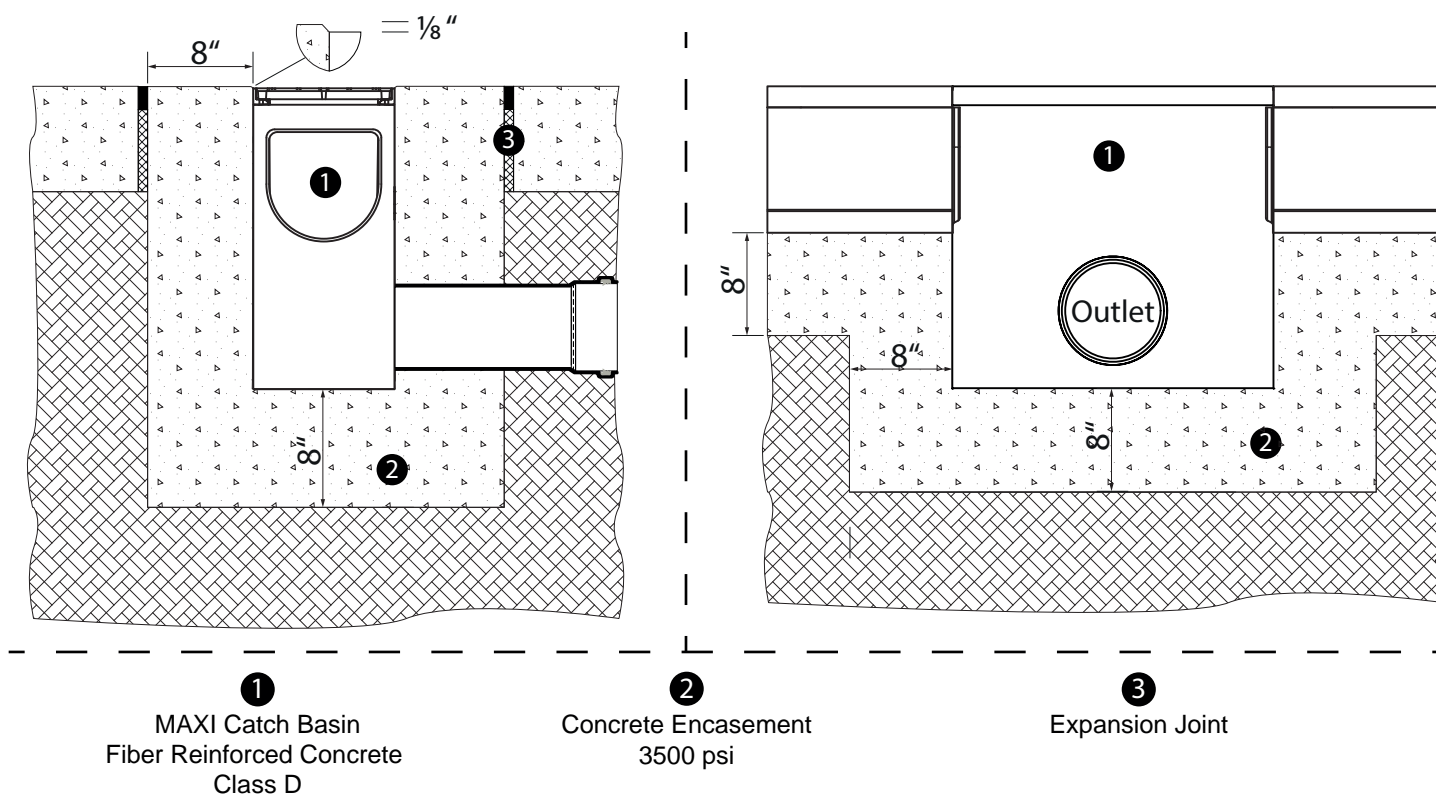
System catch basins are designed to increase flow capacities of the system and filter out larger debris through the trash bucket. Catch Basins have the same integral edge rails as their corresponding system channels and receive the trash bucket. Catch Basins can be positioned anywhere within the run of trench drain and can even be used as a stand-alone drainage structure.

Catch Basins can be positioned anywhere within the run of trench drain and can even be used as a stand-alone drainage structure.

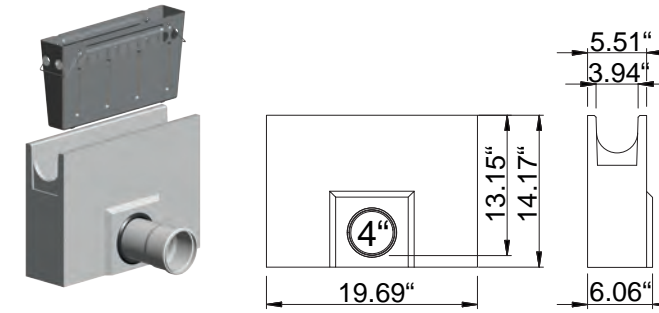


All basins meet the same load rating capabilities of the drainage channels and can be stacked to further increase the hydraulic flow rates through greater storage capacity.

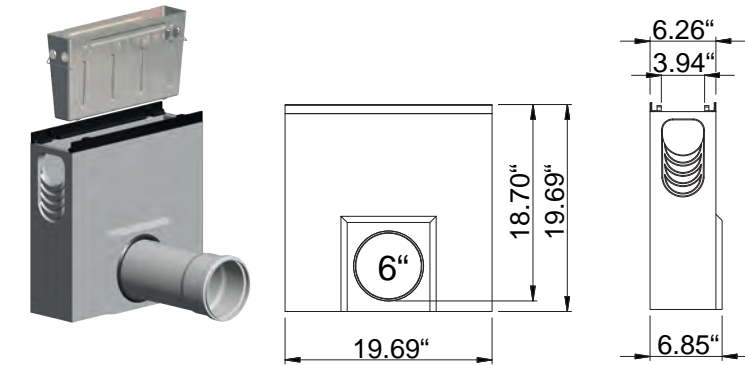
Installation Detail - EN 1433 - Class D



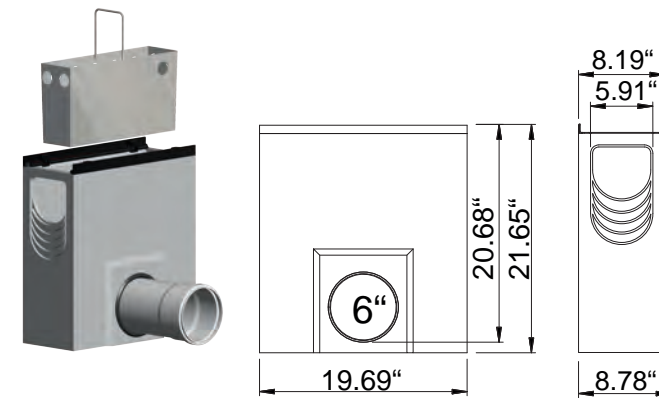
MINI 100



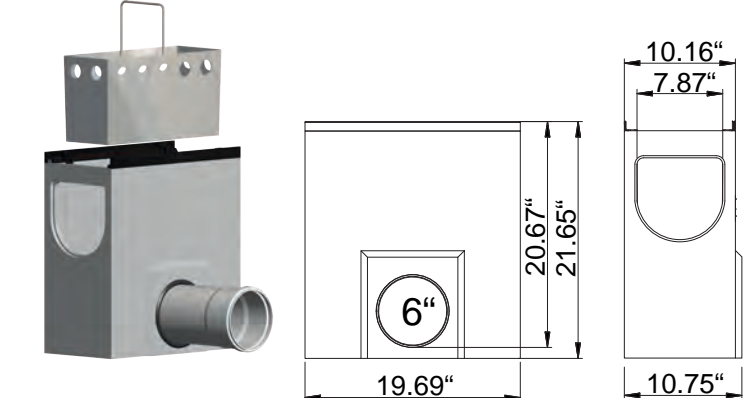
TOP / MAXI 100



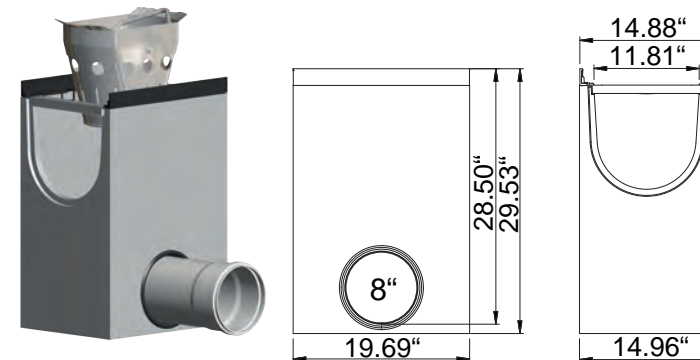
TOP / MAXI 150



TOP / MAXI 200



MAXI F1 300



MAXI F1 400

